

SP-5700WC / SP-5800WC Premium XL Displays



15" W and 19" W TFT Color LCD
Premium XL Displays

SP-5700WC (15" W)
Model: PFXSP5700WCD

SP-5800WC (19" W)
Model: PFXSP5800WCD






Features

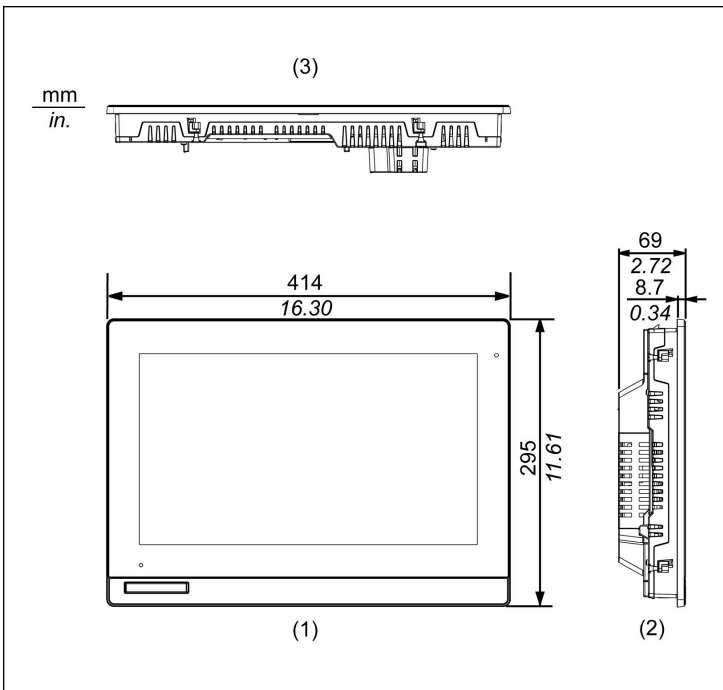
- Enhanced glass top design
- Intuitive P-CAP touch panel operation
- Touch cancelation
- High durability aluminum bezel
- Front USB (Type A & Mini B)
- Extra large screen with high resolution

Specifications

Model	SP-5700WC	SP5800WC
Part Number	PFXSP5700WCD	PFXSP5800WCD
Graphics Display Resolution	1,366 x 768 pixels (FWXGA)	
Display Type and Size	TFT Color LCD 15.6"	TFT Color LCD 18.5"
Display Colors	16 million colors	
Effective Display Area	W 344.2 x H 193.5mm (W 13.55 x H 7.62 in.)	W 409.8 x H 230.4mm (W 16.13 x H 9.07 in.)
Touch Screen	Projected Capacitive (multi-touch, 5 points)	
Touch Panel Resolution	2,048 x 2,048	
Touch Panel Service Life	50 million times or more	
Backlight	White LED (Not user replaceable. When replacement is required, contact your local distributor.)	
Backlight Service Life	50,000 hours or more (continuous operation at 25 °C [77 °F] before backlight brightness decreases to 50%.	
Brightness	0...100 (Adjusted with touch panel or software)	

Specifications		
Models	SP-5700WC	SP-5800WC
Part Number	PFXSP5700WCD	PFXSP5800WCD
Conformal Coating	-	
Input Voltage	12-24 Vdc (limits 10.8 -28.8 Vdc)	
Voltage Drop	12 Vdc: 1.25 ms or less / 24 Vdc: 5 ms or less	
In-Rush Current	30 A or less	
Voltage Endurance	1,000 Vac, 20 mA for 1 minute (between charging and FG terminals)	
Insulation Resistance	500 Vdc, 10 MΩ or more (between charging and FG terminals)	
Power Consumption	17W (max), 6W or less when screen turns off the backlight (Standby Mode), 8W or less (when screen backlight 20%)	19W (max), 8W or less when screen turns off the backlight (Standby Mode), 9W or less (when screen backlight 20%)
Surrounding Air Temperature	0...55 °C [32...131 °F]	
Storage Temperature	-20...60 °C [-4...140 °F]	
Certifications	CE, RoHS, GOST-R, UL/c-UL Class 1 Div 2, KC	
Ratings	When using a factory-installed front USB cover: IP65F, IP67F, Type 1. When using a front USB cover as an option: IP66F, IP67F, Type 1, Type 4X (Indoor Use Only)/13.	
Surrounding Air and Storage Humidity	10%...90% RH (Non condensing, wet bulb temperature 39 °C [102.2 °F] or less)	
Dust	0.1 mg/m3 (10-7 oz/ft3) or less (non-conductive levels)	
Pollution Degree	For use in Pollution Degree 2 environment	
Corrosive Gas	Free of corrosive gases	
Atmospheric Pressure (Operating Altitude)	800...1,114 hPa (2,000 m [6,561 ft] or lower)	
Vibration and Shock Resistance	IEC/EN 61131-2 compliant	
Electrostatic Discharge Immunity	Contact Discharge Method: 6 kV (IEC/EN 61000-4-2 Level 3)	
Weight	5.0kg (11.0 lb) or less	6.8kg (15.0 lb) or less
External Dimensions	414 x 295 x 69 mm (16.30 x 11.61 x 2.72 in)	483 x 337 x 69 mm (19.02 x 13.27 x 2.72 in)
Panel Cut Dimensions	396 x 277 mm (15.59 x 10.91 in)	465 x 319 mm (18.31 x 12.56 in)

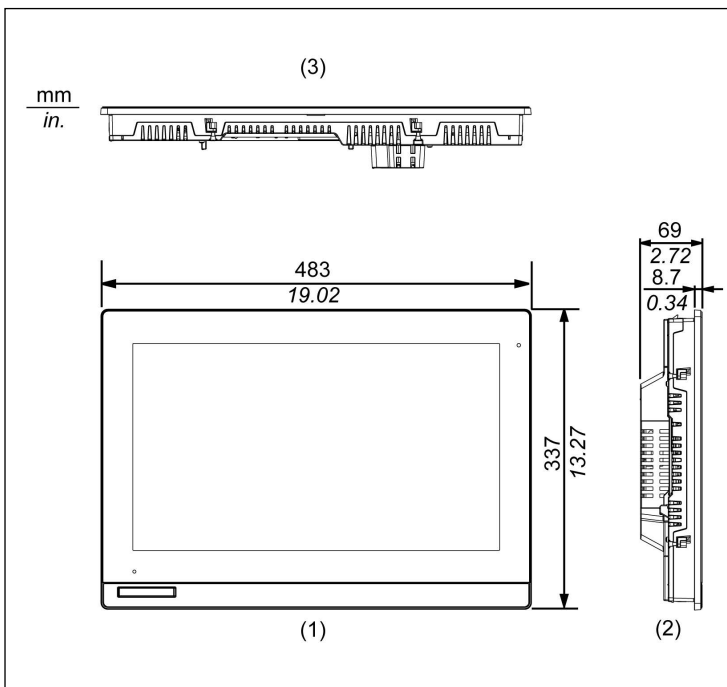
External Dimensions - SP-5700WC



Options

Product	Part Number	Description
15.6" Wide Anti-Glare Sheet	PFXZCHAG152	Prevents reflections, dirt-resistant sheet for screen (5 sheets/set)
18.5" Wide Anti-Glare Sheet	PFXZCHAG192	Prevents reflections, dirt-resistant sheet for screen (5 sheets/set)
Enhanced front USB cover (with screw)	PFXZCDCVUS1	Front USB cover (screw fixing type). Corresponding to IP66F, IP67F, Type 1/4X Indoor Use. Only / 13 or ATEX certification (5 pieces/set)
15.6" Wide Installation	PFXZCGWG152	Replacement gasket to prevent water ingress through assembly (1 piece)
18.5" Wide Installation	PFXZCGWG192	Replacement gasket to prevent water ingress through assembly (1 piece)

External Dimensions - SP-5800WC





California Proposition 65 Warning—Lead and Lead Compounds

Advertencia de la Proposición 65 de California—Plomo y compuestos de plomo

Avertissement concernant la Proposition 65 de Californie—Plomb et composés de plomb

⚠ WARNING: This product can expose you to chemicals including lead and lead compounds, which are known to the State of California to cause cancer and birth defects or other reproductive harm. For more information go to: www.P65Warnings.ca.gov.

⚠ ADVERTENCIA: Este producto puede exponerle a químicos incluyendo plomo y compuestos de plomo, que es (son) conocido(s) por el Estado de California como causante(s) de cáncer y defectos de nacimiento u otros daños reproductivos. Para mayor información, visite : www.P65Warnings.ca.gov.

⚠ AVERTISSEMENT: Ce produit peut vous exposer à des agents chimiques, y compris plomb et composés de plomb, identifiés par l'État de Californie comme pouvant causer le cancer et des malformations congénitales ou autres troubles de l'appareil reproducteur. Pour de plus amples informations, prière de consulter: www.P65Warnings.ca.gov.

All trademarks are the property of Schneider Electric SE, its subsidiaries, and affiliated companies.

Schneider Electric USA, Inc.
800 Federal Street
Andover, MA 01810 USA
888-778-2733
www.schneider-electric.us

Todas las marcas comerciales son propiedad de Schneider Electric SE, sus filiales y compañías afiliadas.

Importado en México por:
Schneider Electric México, S.A. de C.V.
Av. Ejercito Nacional No. 904
Col. Palmas, Polanco 11560 México, D.F.
55-5804-5000
www.schneider-electric.com.mx

Toutes les marques commerciales sont la propriété de Schneider Electric SE, ses filiales et compagnies affiliées.

Schneider Electric Canada, Inc.
5985 McLaughlin Road
Mississauga, ON L5R 1B8 Canada
800-565-6699
www.schneider-electric.ca