

SP-5690WA eXtreme Display

SP5000X SERIES



Features:

- WXGA Display TFT Touch Panel
- 262,144 colors
- Class 1 Div 2, Groups A, B, C, and D
- IP66F Front Panel (with proper panel install)
- Easily combine with SP-5B90 eXtreme Box
- Conformal Coated
- Sunlight Readable and Anti-glare Surface
- NEMA 4X Outdoor Rated

Performance Specifications

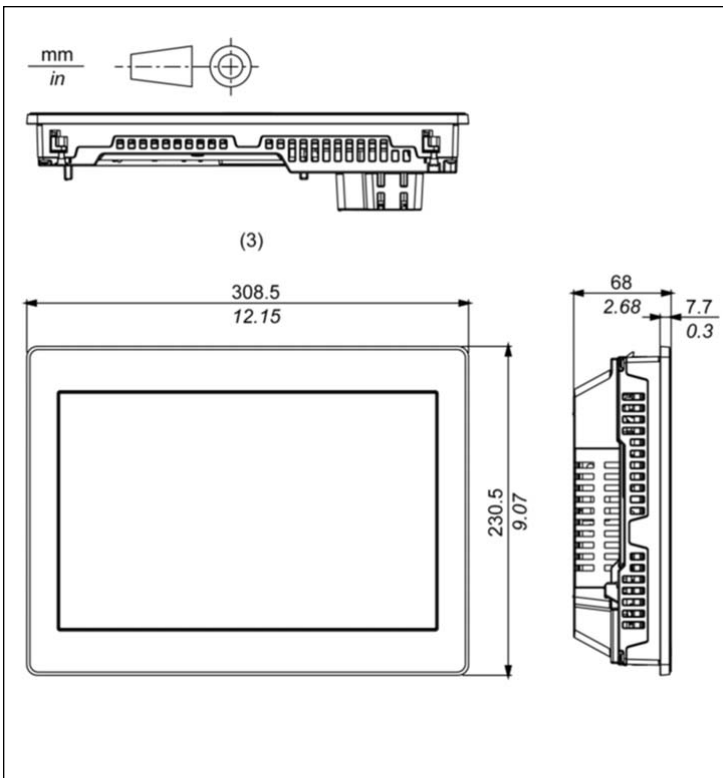
Model	SP-5690WA eXtreme Display	
Part Number	PFXSP5690WAD	PFXSP5690WADF0H
For use in Harsh and Corrosive Environments (3C3)	No	Yes
Graphics Display Resolution	1,280 x 800 pixels (WXGA)	
Display Type and Size	TFT Color LCD 12.1" wide (high-brightness)	
Display Colors	262,144 colors	
Effective Display Area	261.1 x 163.2 mm (10.28 x 6.43 in)	
Touch Screen	Analog resistive	
Backlight	White LED (Not user replaceable. When replacement is required, contact your local distributor.)	
Brightness Control	0...100 (Adjusted with touch panel or software)	

General Specifications

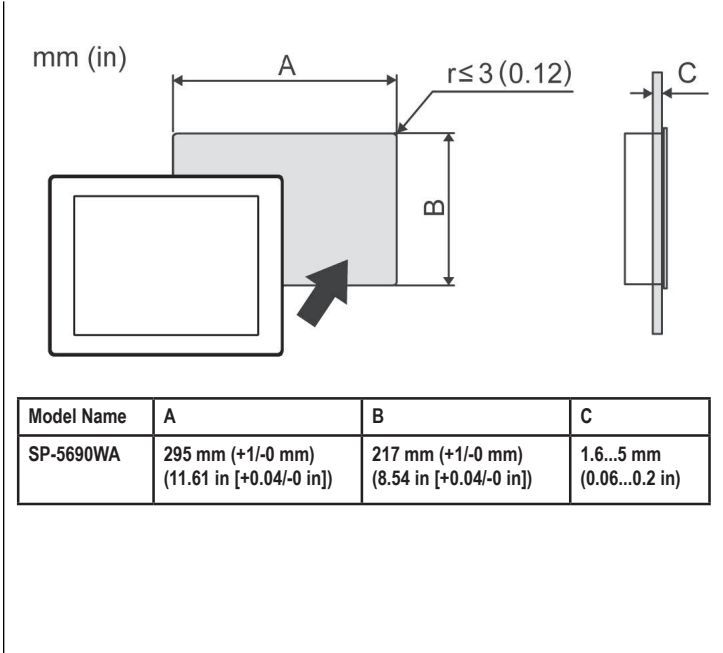
Part Numbers	PFXSP5690WAD, PFXSP5690WADF0H
Rated Input Voltage	12...24 Vdc
Input Voltage Limits	10.8 to 28.8 Vdc
Voltage Drop	12 Vdc: 1.25 ms or less, 24 Vdc: 5 ms or less
In-Rush Current	30 A or less
Voltage Endurance	1,000 Vac, 20 mA for 1 minute (between charging and FG terminals)
Insulation Resistance	500 Vdc, 10 MQ or more (between charging and FG terminals)
Power Consumption ¹	37 W (max), 23W or less (When power is not supplied to external devices), 12.5W or less (When screen turns off the backlight (Standby Mode)) 16 W or less (When screen backlight 20%)
Operating/Ambient Air Temperature ²	-30 to 70 °C (-22 to 158 °F) When installing and wiring: -5 to 70 °C (23 to 158 °F)
Storage Temperature ²	-30 to 70 °C [-22 to 158 °F]
Certifications	UL 61010-2-201 and CSA C22.2 No61010-2-201, ANSI/ISA 12.12.01 and CSA C22.2 No213, Electrical Equipment for Use in Class I, Division 2 Hazardous (Classified) Locations, IECEx / ATEX for use in zones 2/22, EN60079-0 EN60079-15, EN60079-31 EAC, CE, AS/NZS CISPR11 (EN55011), KC, RoHS
Structure ⁵	IP66F, IP67F, Type 4X (indoor and outdoor use), Type 12, Type13 * on the front panel when properly installed in an enclosure.
Surrounding Air and Storage Humidity	10%...90% RH (Non condensing, wet bulb temperature 39 °C [102.2 °F] or less)
Dust	0.1 mg/m3 (10-7 oz/ft3) or less (free of conductive dust particles on all surfaces other than the front face)
Pollution Degree	3 for front face, 2 for other sides
Corrosive Gas ²	IEC/EN 60721-3-3 Class 3C3
Atmospheric Pressure (Operating Altitude)	800...1,114 hPa (2,000 m [6,561 ft] or lower)
UV resistance (front side)	Cutoff: 99% or more (380 nm)
Vibration and Shock Resistance	2G, IEC 60068-2-6 compliant, 5 to 9 Hz Single amplitude 7 mm [0.28 in.], 9 to 150 Hz Fixed acceleration: 19.6 m/s ² , X, Y, Z directions for 10 cycles (approximately 100 minutes), IEC 61373: 1999 (Category 1, Class B), 5≤f≤150 Hz (weight < 500 kg: f1=5 Hz, f2=150 Hz) acceleration: Up and down: 7.90 m/s ² , Right and left: 3.50 m/s ² , Back and forward: 5.50 m/s ²
Electrostatic Discharge Immunity	Contact discharge method: 6 kV Air discharge method: 8 kV(IEC/EN 61000-4-2 Level 3)
Electronic fast transient/burst immunity	IEC 61000-4-4, 2 kV: Power port, 1 kV: Signal ports
Weight ⁴	3.2 kg (7.1 lb) or less
External Dimensions ³	308.5 x 230.5 x 68 mm [12.15 x 9.07 x 2.68 in]
Panel Cut Dimensions	295 x 217 mm [11.61 x 8.54 in]*2 Panel thickness area: 1.6...5 mm [0.06...0.2 in]
Warranty	Two (2) years

¹The power consumption is the sum of the power consumption of Box Module and Display Module. ²When using fieldbus unit, environmental specifications follow those of the fieldbus unit. ³When combined with Box Module, the depth is 67mm (2.64 in.). ⁴Weight for Display Module only ⁵The front face of the unit, installed in a solid panel, has been tested using conditions equivalent to the standards shown in the specification. Even though the unit's level of resistance is equivalent to these standards, oils that should have no effect on the unit can possibly harm the unit. This can occur in areas where either vapourised oils are present, or where low viscosity cutting oils are allowed to adhere to the unit for long periods of time. If the unit's front face protection sheet becomes peeled off, these conditions can lead to the ingress of oil into the unit and separate protection measures are suggested. Also, if non-approved oils are present, it may cause deformation or corrosion of the front panel's plastic cover. Therefore, prior to installing the unit, be sure to confirm the type of conditions that will be present in the unit's operating environment. If the installation gasket is used for a long period of time, or if the unit and its gasket are removed from the panel, the original level of the protection cannot be guaranteed. To maintain the original protection level, be sure to replace the installation gasket regularly before, prior to installing the unit, be sure to confirm the type of conditions that will be present in the unit's operating environment. If the installation gasket is used for a long period of time, or if the unit and its gasket are removed from the panel, the original level of the protection cannot be guaranteed.

External Dimensions



Panel-Cut Out Dimensions



Ordering Information

Model Number	Description
PFXSP5690WAD	SP5000X Series eXtreme Display 12.1-inch Wide, Outdoor use, Rugged, UV protected, Coated, Sunlight readable TFT, 262,000 colors, WXGA 1280 x 800 pixels, Analog Touch Panel, DC12-24V
PFXSP5690WAD-F0H	SP5000X Series eXtreme Display 12.1-inch Wide, Outdoor use, Rugged, UV protected, Coated, Sunlight readable TFT, 262,000 colors, WXGA 1280 x 800 pixels, Analog Touch Panel, DC12-24V, plus harsh and corrosive environments
PFXSP5B90 or PFXSP5B90F0H	SP5000X Series eXtreme Box Outdoor use, Rugged, Coated, Ethernet I/F x 2, COM I/F x 2, USB A I/F x 2, USB mini-B I/F, SD Card I/F x 2, AUX I/F, Expansion Unit I/F (F0H = plus harsh and corrosive environments.)

Options

Part Number	Description
PFXZCHBMFBL1	SP5000X Series, Bracket for fixing Box module to Display module (1 piece)
PFXZCHCND3	Connector with fixable screws to connect DC power supply cables for 12" and 15" display (Angle type, 5pcs/set)
PFXZCHEUJ1	Expansion unit that enables participation of the SP5000 Series/SP5000X Series in the J1939 communication network

EXTREME Solutions



Oil & Gas



Water/Waste Water



Pumping Station



Transportation

Pro-face America

Phone: 734.477.0600

Fax: 734.864.7347

www.profaceamerica.com

Customer Service Hotline: 800.289.9266

For more information

ACCESS

www.profaceamerica.com

Pro-face



California Proposition 65 Warning—Lead and Lead Compounds

Advertencia de la Proposición 65 de California—Plomo y compuestos de plomo

Avertissement concernant la Proposition 65 de Californie—Plomb et composés de plomb

⚠ WARNING: This product can expose you to chemicals including lead and lead compounds, which are known to the State of California to cause cancer and birth defects or other reproductive harm. For more information go to: www.P65Warnings.ca.gov.

⚠ ADVERTENCIA: Este producto puede exponerle a químicos incluyendo plomo y compuestos de plomo, que es (son) conocido(s) por el Estado de California como causante(s) de cáncer y defectos de nacimiento u otros daños reproductivos. Para mayor información, visite : www.P65Warnings.ca.gov.

⚠ AVERTISSEMENT: Ce produit peut vous exposer à des agents chimiques, y compris plomb et composés de plomb, identifiés par l'État de Californie comme pouvant causer le cancer et des malformations congénitales ou autres troubles de l'appareil reproducteur. Pour de plus amples informations, prière de consulter: www.P65Warnings.ca.gov.

All trademarks are the property of Schneider Electric SE, its subsidiaries, and affiliated companies.

Schneider Electric USA, Inc.
800 Federal Street
Andover, MA 01810 USA
888-778-2733
www.schneider-electric.us

Todas las marcas comerciales son propiedad de Schneider Electric SE, sus filiales y compañías afiliadas.

Importado en México por:
Schneider Electric México, S.A. de C.V.
Av. Ejercito Nacional No. 904
Col. Palmas, Polanco 11560 México, D.F.
55-5804-5000
www.schneider-electric.com.mx

Toutes les marques commerciales sont la propriété de Schneider Electric SE, ses filiales et compagnies affiliées.

Schneider Electric Canada, Inc.
5985 McLaughlin Road
Mississauga, ON L5R 1B8 Canada
800-565-6699
www.schneider-electric.ca