

SP-5690WA eXtreme Display

SP5000X SERIES



Features:

- WXGA Display TFT Touch Panel
- 262,144 colors
- Class 1 Div 2, Groups A, B, C, and D
- IP66F Front Panel (with proper panel install)
- Easily combine with SP-5B90 eXtreme Box
- Conformal Coated
- Sunlight Readable and Anti-glare Surface
- UV Resistive (Front Side)

Performance Specifications

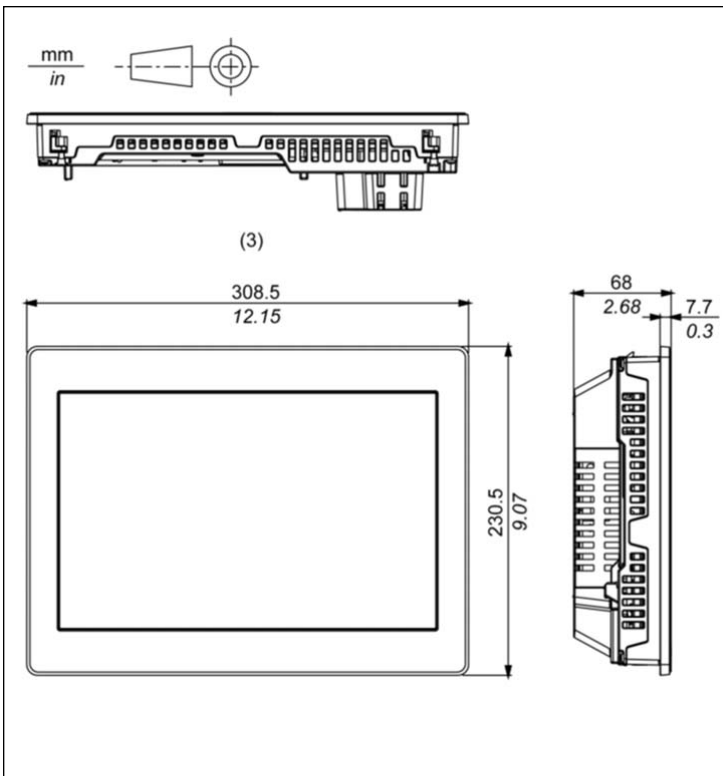
Model	SP-5690WA eXtreme Display
Part Number	PFXSP5690WAD
Graphics Display Resolution	1,280 x 800 pixels (WXGA)
Display Type and Size	TFT Color LCD 12.1" wide (high-brightness)
Display Colors	262,144 colors
Effective Display Area	261.1 x 163.2 mm (10.28 x 6.43 in)
Touch Screen	Analog resistive
Backlight	White LED (Not user replaceable. When replacement is required, contact your local distributor.)
Backlight Service Life	50,000 hours or more (continuous operation at 25 °C [77 °F] before backlight brightness decreases to 50%)
Brightness Control	0...100 (Adjusted with touch panel or software)
Brightness	1000 cd/m2 (typ.) or 1000 NITS

General Specifications

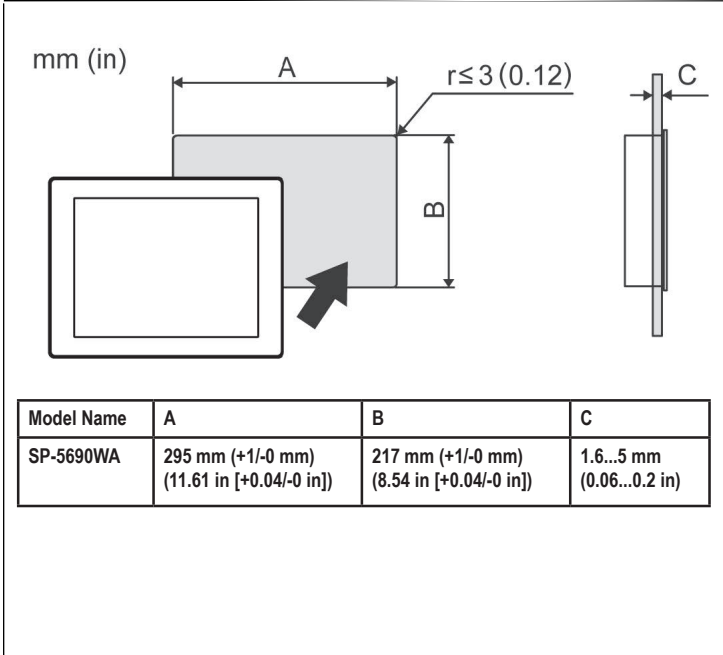
Model and Part Number	SP-5690WA eXtreme Display and PFXSP5690WAD
Software	GP-Pro EX v4.08.200 or newer
Rated Input Voltage	12...24 Vdc
Input Voltage Limits	10.8 to 28.8 Vdc
Voltage Drop	12 Vdc: 1.25 ms or less, 24 Vdc: 5 ms or less
In-Rush Current	30 A or less
Voltage Endurance	1,000 Vac, 20 mA for 1 minute (between charging and FG terminals)
Insulation Resistance	500 Vdc, 10 MQ or more (between charging and FG terminals)
Power Consumption ¹	37 W (max), 23W or less (When power is not supplied to external devices), 12.5W or less (When screen turns off the backlight (Standby Mode)) 16 W or less (When screen backlight 20%)
Operating/Ambient Air Temperature ²	-30 to 70 °C (-22 to 158 °F) When installing and wiring: -5 to 70 °C (23 to 158 °F)
Storage Temperature ²	-30 to 70 °C [-22 to 158 °F]
Certifications	UL 61010-2-201 and CSA C22.2 No61010-2-201, ANSI/ISA 12.12.01 and CSA C22.2 No213, Electrical Equipment for Use in Class I, Division 2 Hazardous (Classified) Locations, IECEx / ATEX for use in zones 2/22, EN60079-0 EN60079-15, EN60079-31 EAC, CE, AS/NZS CISPR11 (EN55011), KC, RoHS
Surrounding Air and Storage Humidity	10%...90% RH (Non condensing, wet bulb temperature 39 °C [102.2 °F] or less)
Dust	0.1 mg/m3 (10-7 oz/ft3) or less (non-conductive levels)
Pollution Degree	3 for front face, 2 for other sides
Corrosive Gas ²	IEC/EN 60721-3-3 Class 3C3
Atmospheric Pressure (Operating Altitude)	800...1,114 hPa (2,000 m [6,561 ft] or lower)
UV resistance (front side)	Cutoff: 99% or more (380 nm)
Vibration and Shock Resistance	IEC 60068-2-6 compliant, 5 to 9 Hz Single amplitude 7 mm (0.28 in), 9 to 150 Hz Fixed acceleration: 19.6 m/s2, X, Y, Z directions for 10 cycles (approximately 100 minutes), IEC 61373: 1999 (Category 1, Class B) ,5≤f≤150 Hz (weight < 500 kg: f1=5 Hz, f2=150 Hz), acceleration, Up and down: 7.90 m/s2, Right and left: 3.50 m/s2, Back and forward: 5.50 m/s2. Shock Resistance: IEC 60068-2-27 compliant 392 m/s2, 11 ms, X, Y, Z directions for 3 times
Electrostatic Discharge Immunity	Contact discharge method: 6 kV Air discharge method: 8 kV(IEC/EN 61000-4-2 Level 3)
Electronic fast transient/burst immunity	IEC 61000-4-4, 2 kV: Power port, 1 kV: Signal ports
Weight ⁴	3.2 kg (7.1 lb) or less
External Dimensions ³	308.5 x 230.5 x 68 mm [12.15 x 9.07 x 2.68 in]
Panel Cut Dimensions	295 x 217 mm [11.61 x 8.54 in]*2 Panel thickness area: 1.6...5 mm [0.06...0.2 in]
Warranty	Two (2) years

¹The power consumption is the sum of the power consumption of Box Module and Display Module. ²When using fieldbus unit, environmental specifications follow those of the fieldbus unit. ³When combined with Box Module, the depth is 67mm (2.64 in.). ⁴Weight for Display Module only

External Dimensions



Panel-Cut Out Dimensions



Ordering Information

Model Number	Description
PFXSP5690WAD	SP5000X Series eXtreme Display 12.1-inch Wide, Outdoor use, Rugged, UV protected, Coated, Sunlight readable TFT, 262,000 colors, WXGA 1280 x 800 pixels, Analog Touch Panel, DC12-24V
PFXSP5B90	SP5000X Series eXtreme Box Outdoor use, Rugged, Coated, Ethernet I/F x 2, COM I/F x 2, USB A I/F x 2, USB mini-B I/F, SD Card I/F x 2, AUX I/F, Expansion Unit I/F

Options

Part Number	Description
PFXZCHBMFBL1	SP5000X Series, Bracket for fixing Box module to Display module (1 piece)
PFXZCHCND3	Connector with fixable screws to connect DC power supply cables for 12" and 15" display (Angle type, 5pcs/set)
PFXZCHEUJ1	Expansion unit that enables participation of the SP5000 Series/SP5000X Series in the J1939 communication network

EXTREME Solutions



Oil & Gas



Water/Waste Water



Pumping Station



Transportation

Pro-face America

Phone: 734.477.0600

Fax: 734.864.7347

www.profaceamerica.com

Customer Service Hotline: 800.289.9266

For more information

ACCESS

www.profaceamerica.com

Pro-face