

SP-5490WA eXtreme Display

SP5000X SERIES



Features:

- WVGA Display TFT Touch Panel
- 262,144 colors
- Class 1 Div 2, Groups A, B, C, and D
- IP66F Front Panel (with proper panel install)
- Easily combine with SP-5B90 eXtreme Box
- Conformal Coated
- Sunlight Readable and Anti-glare Surface
- UV Resistive (Front Side)

Performance Specifications

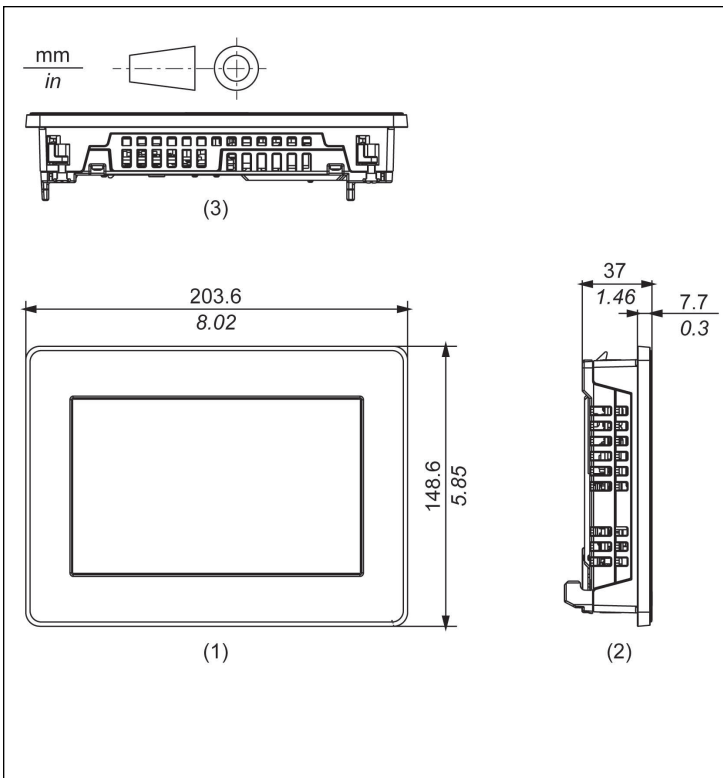
Model	SP-5490WA eXtreme Display
Part Number	PFXSP5490WAD
Graphics Display Resolution	800 x 480 pixels (WVGA)
Display Type and Size	TFT Color LCD 7" wide (high-brightness)
Display Colors	262,144 colors
Effective Display Area	152.4 x 91.4 mm (6.00 x 3.60 in)
Touch Screen	Analog resistive
Backlight	White LED (Not user replaceable. When replacement is required, contact your local distributor.)
Backlight Service Life	50,000 hours or more (continuous operation at 25 °C [77 °F] before backlight brightness decreases to 50%)
Brightness Control	0...100 (Adjusted with touch panel or software)
Brightness	1000 cd/m2 (typ.) or 1000 NITS

General Specifications

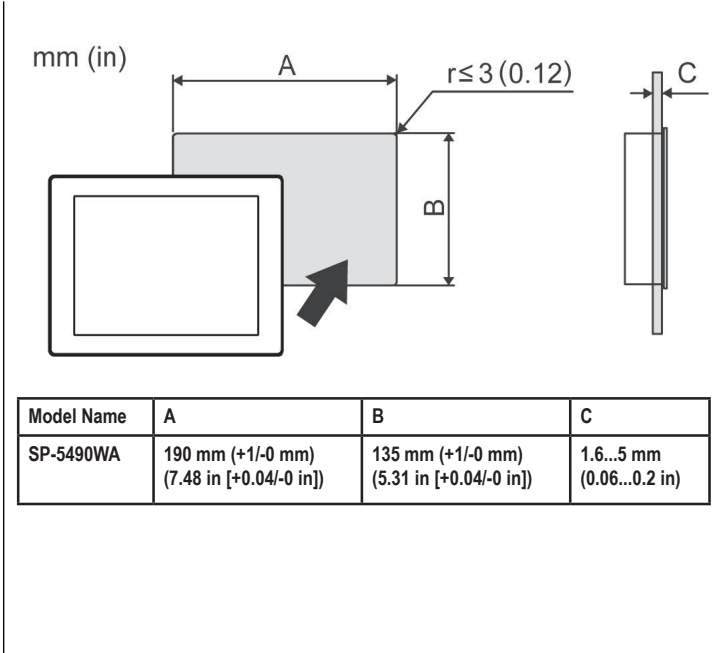
Model and Part Number	SP-5490WA eXtreme Display and PFXSP5490WAD
Software	GP-Pro EX v4.08.200 or newer
Rated Input Voltage	12...24 Vdc
Input Voltage Limits	10.8 to 28.8 Vdc
Voltage Drop	12 Vdc: 1.25 ms or less, 24 Vdc: 5 ms or less
In-Rush Current	30 A or less
Voltage Endurance	1,000 Vac, 20 mA for 1 minute (between charging and FG terminals)
Insulation Resistance	500 Vdc, 10 MQ or more (between charging and FG terminals)
Power Consumption ¹	29 W (max), 17.5W or less (When power is not supplied to external devices), 12.5W or less (When screen turns off the backlight (Standby Mode)) 15 W or less (When screen backlight 20%)
Operating/Ambient Air Temperature ²	-30 to 65 °C (-22 to 149 °F) When installing and wiring: -5 to 65 °C (23 to 149 °F)
Storage Temperature ²	-30 to 70 °C [-22 to 158 °F]
Certifications	UL 61010-2-201 and CSA C22.2 No61010-2-201, ANSI/ISA 12.12.01 and CSA C22.2 No213, Electrical Equipment for Use in Class I, Division 2 Hazardous (Classified) Locations, IECEx / ATEX for use in zones 2/22, EN60079-0 EN60079-15, EN60079-31 EAC, CE, AS/NZS CISPR11 (EN55011), KC, RoHS
Surrounding Air and Storage Humidity	10%...90% RH (Non condensing, wet bulb temperature 39 °C [102.2 °F] or less)
Dust	0.1 mg/m3 (10-7 oz/ft3) or less (non-conductive levels)
Pollution Degree	3 for front face, 2 for other sides
Corrosive Gas ²	IEC/EN 60721-3-3 Class 3C3
Atmospheric Pressure (Operating Altitude)	800...1,114 hPa (2,000 m [6,561 ft] or lower)
UV resistance (front side)	Cutoff: 99% or more (380 nm)
Vibration and Shock Resistance	IEC 60068-2-6 compliant, 5 to 9 Hz Single amplitude 7 mm (0.28 in), 9 to 150 Hz Fixed acceleration: 19.6 m/s ² , X, Y, Z directions for 10 cycles (approximately 100 minutes), IEC 61373: 1999 (Category 1, Class B) ,5≤f≤150 Hz (weight < 500 kg: f1=5 Hz, f2=150 Hz), acceleration, Up and down: 7.90 m/s ² , Right and left: 3.50 m/s ² , Back and forward: 5.50 m/s ² . Shock Resistance: IEC 60068-2-27 compliant 392 m/s ² , 11 ms, X, Y, Z directions for 3 times
Electrostatic Discharge Immunity	Contact discharge method: 6 kV Air discharge method: 8 kV(IEC/EN 61000-4-2 Level 3)
Electronic fast transient/burst immunity	IEC 61000-4-4, 2 kV: Power port, 1 kV: Signal ports
Weight ⁴	1.3 kg (2.9 lb) or less
External Dimensions ³	203.6 x 148.6 x 37 mm [8.02 x 5.85 x 1.45 in]
Panel Cut Dimensions	190 x 135 mm [7.48 x 5.31 in]*2 Panel thickness area: 1.6...5 mm [0.06...0.2 in]
Warranty	Two (2) years

¹The power consumption is the sum of the power consumption of Box Module and Display Module. ²When using fieldbus unit, environmental specifications follow those of the fieldbus unit. ³When combined with Box Module, the depth is 67mm (2.64 in.). ⁴Weight for Display Module only

External Dimensions



Panel-Cut Out Dimensions



Ordering Information

Model Number	Description
PFXSP5490WAD	7.0-inch Wide, Outdoor use, Rugged, UV protected, Coated, Sunlight readable TFT, 262,000 colors, WVGA 800 x 480 pixels, Analog Touch Panel, DC12-24V
PFXSP5B90	SP5000X Series eXtreme Box Outdoor use, Rugged, Coated, Ethernet I/F x 2, COM I/F x 2, USB A I/F x 2, USB mini-B I/F, SD Card I/F x 2, AUX I/F, Expansion Unit I/F

Options

Part Number	Description
PFXZCHBMFBS1	SP5000X Series, Bracket for fixing Box module to Display module(SP-5490WA) (1 piece)
PFXZCHBMFBL1	SP5000X Series, Bracket for fixing Box module to Display module (1 piece)
PFXZCHEUJ1	Expansion unit that enables participation of the SP5000 Series/SP5000X Series in the J1939 communication network

EXTREME Solutions



Oil & Gas



Water/Waste Water



Pumping Station



Transportation

Pro-face America

Phone: 734.477.0600

Fax: 734.864.7347

www.profaceamerica.com

Customer Service Hotline: 800.289.9266

For more information

ACCESS

www.profaceamerica.com

Pro-face