

# 5.7" Touch Screen Operator Interface with Rear Mount Options



**TouchPanel  
Operation**



5.74-inch TFT Color Rear Mount  
Touch Screen Operator Interface

GP-4301TADR

24Vdc

5.7

Model: PFXGP4301TADR, PFXGP4301TADRF0C

QVGA
SD Card
Ethernet

Powered by








**Features:**

- Lack of front bezel allows for multiple Rear Mounting Options
- 65,536 Colors, Clear, Bright, High-Resolution TFT Display
- Energy Efficient LED Display
- No Grid Analog Touch Panel for Improved Visibility and Precise Part Placement
- Supports Up to Four Protocol Drivers Simultaneously
- High Speed Application Transfer, 10 Times Faster than Conventional Operator Interfaces
- 10/100 Base-T Ethernet, USB, Serial Communication, and SD Card Interfaces
- High-Definition Part Images and Multi-Language Support

**Specifications**

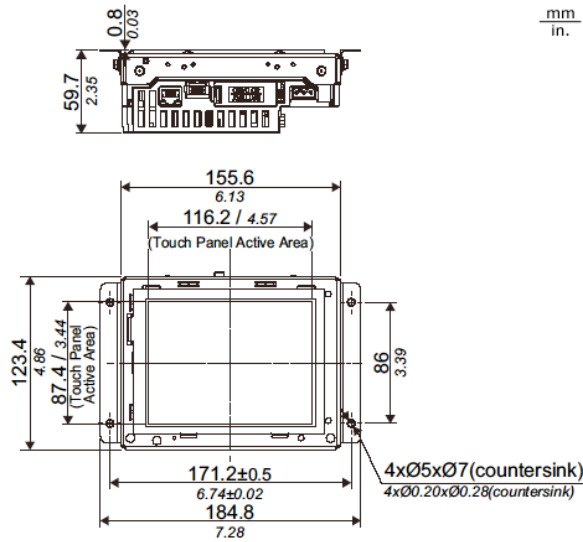
Model	PFXGP4301TADR, PFXGP4301TADRF0C
Graphics Display Resolution	320 x 240 pixels (QVGA)
Display Type and Size	TFT Color LCD (5.7 inch)
Display Colors	65,536 Colors (no blink), 16,384 (blink)
Display Area	W115.2 x H86.4 mm [W4.54 x H3.40 in.]
Touch Screen	Resistive film analog 1024 x 1024 resolution
USB	USB Type-A (2.0) x 1, USB mini-B (2.0) x1
SD Card	SD Card slot x 1 (maximum 32 GB SD/SDHC Card)
Serial	COM1: RS-232C Asynchronous Transmission Data Length: 7 or 8 bit, Parity: none, odd or even, Stop Bit: 1 or 2 bit, Data Transmission Speed: 2,400 bps to 115.2 kbps, Connector: D-Sub9 (plug)  COM 2: RS-422/485 Asynchronous Transmission Data Length: 7 or 8 bits, Parity: none, Even or Odd Stop Bit: 1 or 2 bits, Data Transmission Speed: 2,400 bps to 115.2 kbps, 187.5kbps (MPI) Connector: D-Sub9 (plug)
Ethernet	IEEE802.3i/IEEE802.3u, 10BASE-T/100BASE-TX Connector: Modular jack (RJ-45) x 1
Backlight	White LED (User nonreplaceable parts. When replacement is required, contact your local distributor.)
Brightness and Contrast Controls	16 levels of adjustment available via touch panel
Application Memory	16MB FEPROM (GP-Pro EX V3.0 or later)
Backup Memory	512kb SRAM with battery backup

**General Specifications**

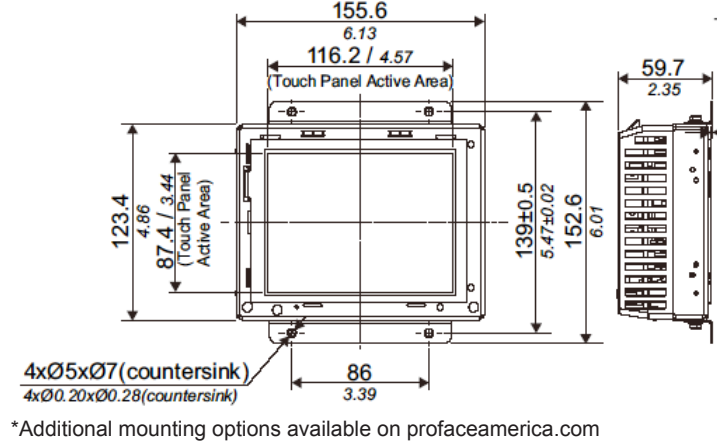
Model	PFXGP4301TADR	PFXGP4301TADRF0C
Conformal Coating	No	Yes
Input Voltage	Rated 24 Vdc/(Limits 19.2 to 28.8 Vdc)	
Power Consumption	10.5 W or less	
Ambient Operating Temp.	0°C (32°F) to 55°C (131°F)	
Storage Temperature	-20 to 60 °C [-4 to 140 °F]	
Altitude Endurance	800hPa to 1114hPa (2000 meters or lower)	
Certifications	CE, UL Listed Cl 1 Div 2 (Cl 1 Div 2 is only available on Rev. B units), S RoHS, ABS (American Bureau of Shipping), DNV (Norway – Marine)	
Humidity - Ambient/Storage	10 to 90 % RH (Wet bulb temperature: 39 °C [102.2 °F] or less - no condensation.)	
Noise Immunity	Noise Voltage: 1,000 Vp-p, Pulse Duration: 1 µs, Rise Time: 1 ns (via noise simulator)	
Cooling Method	Natural air circulation	
Electrostatic Discharge Immunity	Contact Discharge Method: 6 kV (IEC/EN61000-4-2 Level 3)	
Vibration Resistance	IEC/EN61131-2 compliant, 5 to 9 Hz Single amplitude 3.5 mm [0.14 in.], 9 to 150 Hz Fixed acceleration: 9.8 m/s², X, Y, Z directions for 10 cycles (approx. 100 min)	
Shock during operation	IEC/EN 61131-2 compliant 147 m/s², X, Y, Z directions for 3 times	
Rating	Equivalent to IP65f, Nema #250 Type 4x/13 (Equivalent to NEMA 12 with the addition of "Oil or Spraying and Splashing") when properly installed in an enclosure	
Weight	1 kg [2.2 lb] or less (including the installation fasteners)	
External Dimensions	W155.6 x H123.4 x D59.7 mm [W6.13 x H4.86 x D2.35 in.]	
Warranty	Two-year standard (maximum 4 years)	

**GP-4301TADR - Panel Type Standard Mount Dimensions\***

Installation with fasteners attached to the top and bottom surfaces of the GP unit



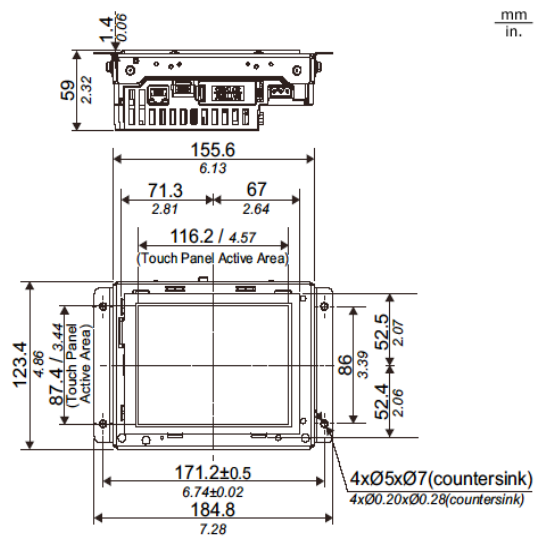
Installation with fasteners attached to the sides of the GP unit



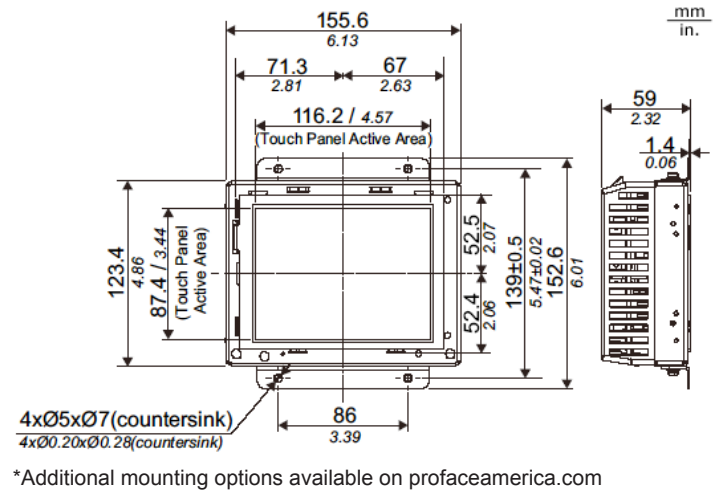
\*Additional mounting options available on [profaceamerica.com](http://profaceamerica.com)

**GP-4301TADR - Panel Type Flat Mount Dimensions\***

Installation with fasteners attached to the top and bottom surfaces of the GP unit



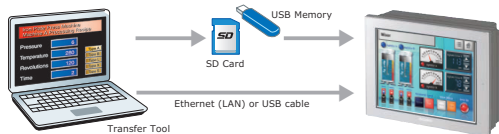
Installation with fasteners attached to the sides of the GP unit



\*Additional mounting options available on [profaceamerica.com](http://profaceamerica.com)

**Easily Transfer Data**

Screen data can be updated by using the data transfer tool, even without a software license.



The data transfer tool can be downloaded for free from the Web <http://www.profaceamerica.com>

**Ordering Information**

Part Number	Description
PFXGP4301TADR	<b>GP-4301R:</b> 5.7" TFT Color Touchscreen (Analog), QVGA, 2x Serial, Ethernet, 2x USB, SD, 24VDC, UL/CE
PFXGP4301TADR0C	<b>GP-4301R:</b> 5.7" TFT Color Touchscreen (Analog), QVGA, 2x Serial, Ethernet, 2x USB, SD, 24VDC, UL/CE, Conformal Coating
PFXZGPAFRM1	7.5-inch & 5.7-inch, Rear mount Installation Fastener*1
PFXZGPF6W1	5.7-inch Overlay*2*3

\*1 These options can not be used with the standard GP4000 products. \*2 These overlays can only be used with the flat mounted GP4000R Series products. When standard mounting is used, no overlay can be used. Overlays. The standard GP4000 series Screen Protection Sheet (PFXZCBDS\*\*) can be applied on top of the Overlay. \*3 If you would like to request customization about overlay, such as other size or different colors or customer /company logo stickers, please contact the following person



# California Proposition 65 Warning—Lead and Lead Compounds

## Advertencia de la Proposición 65 de California—Plomo y compuestos de plomo

## Avertissement concernant la Proposition 65 de Californie—Plomb et composés de plomb

**⚠ WARNING:** This product can expose you to chemicals including lead and lead compounds, which are known to the State of California to cause cancer and birth defects or other reproductive harm. For more information go to:  
[www.P65Warnings.ca.gov](http://www.P65Warnings.ca.gov).

**⚠ ADVERTENCIA:** Este producto puede exponerle a químicos incluyendo plomo y compuestos de plomo, que es (son) conocido(s) por el Estado de California como causante(s) de cáncer y defectos de nacimiento u otros daños reproductivos. Para mayor información, visite :  
[www.P65Warnings.ca.gov](http://www.P65Warnings.ca.gov).

**⚠ AVERTISSEMENT:** Ce produit peut vous exposer à des agents chimiques, y compris plomb et composés de plomb, identifiés par l'État de Californie comme pouvant causer le cancer et des malformations congénitales ou autres troubles de l'appareil reproducteur. Pour de plus amples informations, prière de consulter: [www.P65Warnings.ca.gov](http://www.P65Warnings.ca.gov).

All trademarks are the property of Schneider Electric SE, its subsidiaries, and affiliated companies.

**Schneider Electric USA, Inc.**  
800 Federal Street  
Andover, MA 01810 USA  
888-778-2733  
[www.schneider-electric.us](http://www.schneider-electric.us)

Todas las marcas comerciales son propiedad de Schneider Electric SE, sus filiales y compañías afiliadas.

Importado en México por:  
**Schneider Electric México, S.A. de C.V.**  
Av. Ejercito Nacional No. 904  
Col. Palmas, Polanco 11560 México, D.F.  
55-5804-5000  
[www.schneider-electric.com.mx](http://www.schneider-electric.com.mx)

Toutes les marques commerciales sont la propriété de Schneider Electric SE, ses filiales et compagnies affiliées.

**Schneider Electric Canada, Inc.**  
5985 McLaughlin Road  
Mississauga, ON L5R 1B8 Canada  
800-565-6699  
[www.schneider-electric.ca](http://www.schneider-electric.ca)