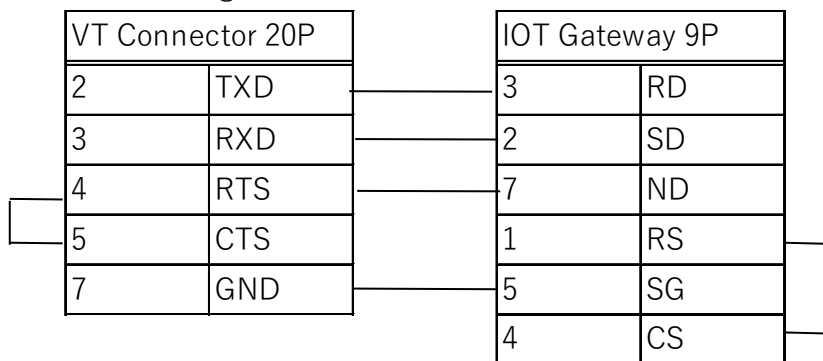


Operation-tested HMIs (Gateway Mode)

- HMI: KEYENCE Corporation VT2
- Driver: Mitsubishi Electric A Series CPU Direct

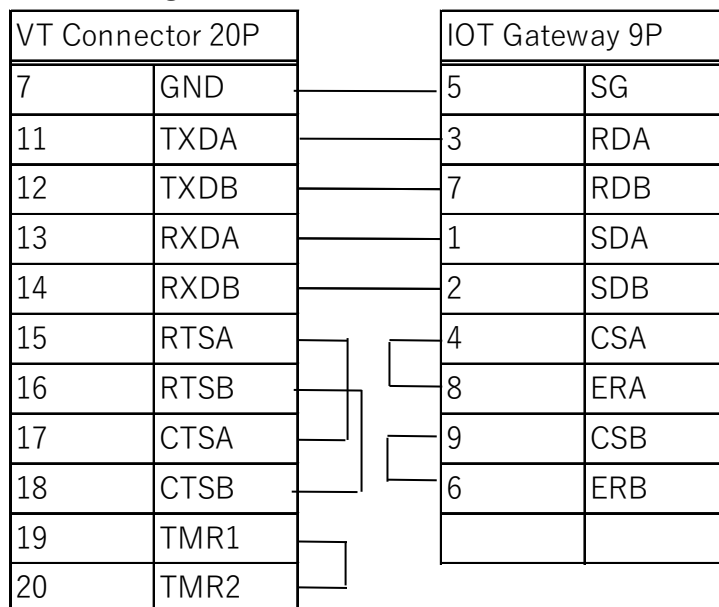
Cable Diagram : K- 6

When using OP-24027



Cable Diagram : K-5

When using OP-24028



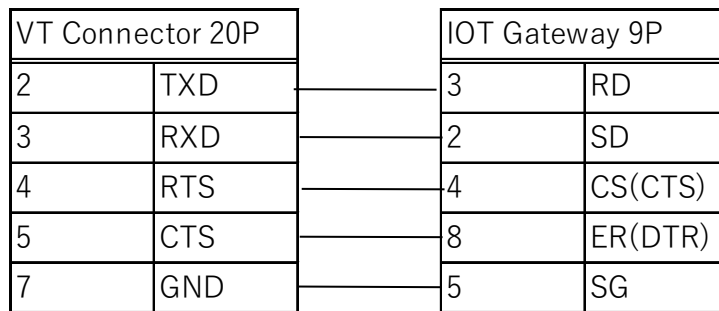
Able to connect by using the communication driver of GP-Pro EX Ver. 4.08.000. Unable to connect when GP-Pro EX with an earlier version than ver. 4.08.000 is used.

Operation-tested HMIs (Gateway Mode)

- HMI: KEYENCE Corporation VT2
- Driver: Mitsubishi Q Series CPU Direct

Cable Diagram : K-4

When using OP-24027

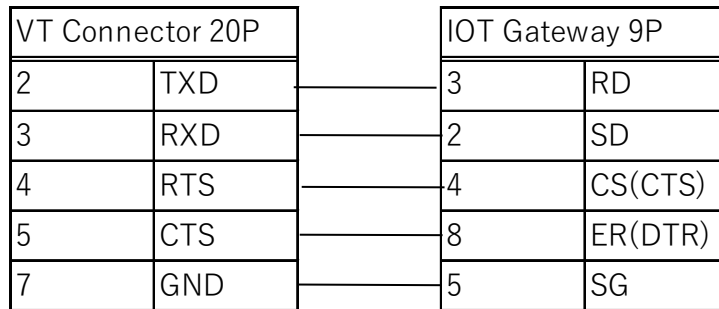


Operation-tested HMIs (Gateway Mode)

- HMI: KEYENCE Corporation VT2
- Driver: Mitsubishi Q/QnA Serial Communication

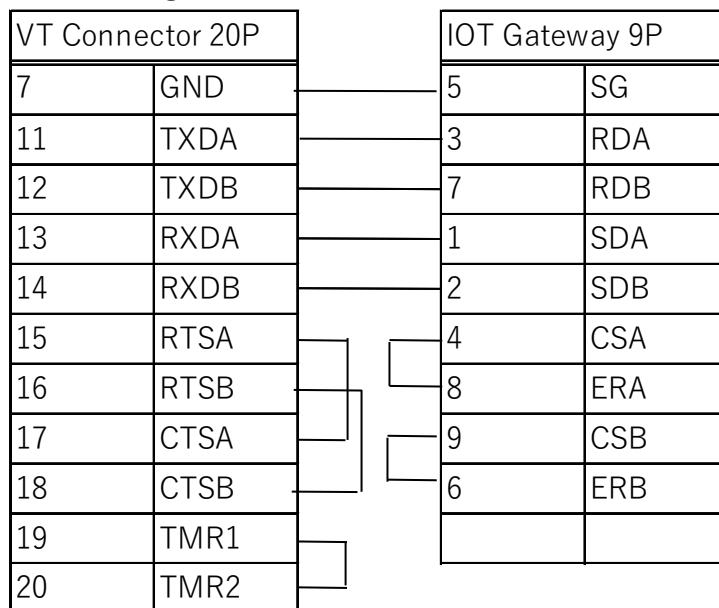
Cable Diagram : K-4

When using OP-24027



Cable Diagram : K-5

When using OP-24028

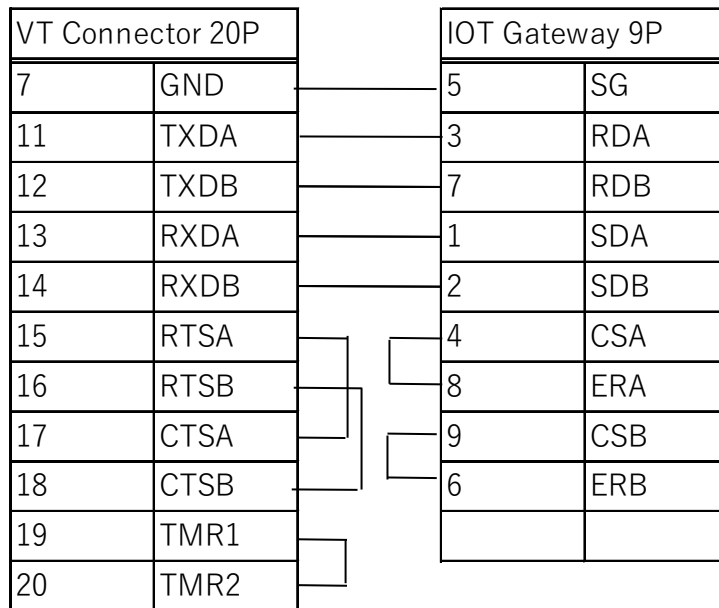


Operation-tested HMIs (Gateway Mode)

- HMI: KEYENCE Corporation VT2
- Driver: Mitsubishi QnA Series CPU Direct

Cable Diagram : K-5

When using OP-24028

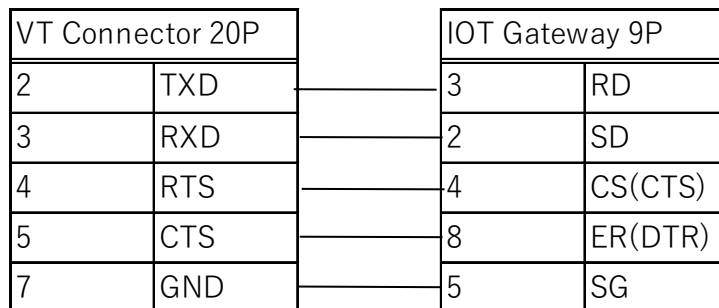


Operation-tested HMIs (Gateway Mode)

- HMI: KEYENCE Corporation VT2
- Driver: Mitsubishi FX Series CPU Direct

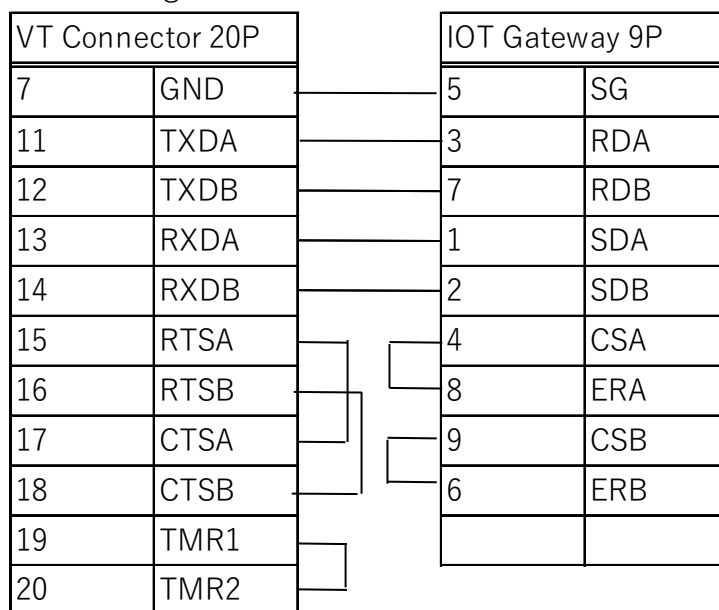
Cable Diagram : K-4

When using OP-24027



Cable Diagram : K-5

When using OP-24028

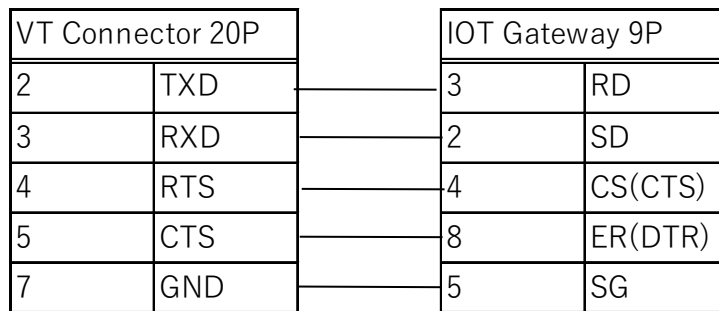


Operation-tested HMIs (Gateway Mode)

- HMI: KEYENCE Corporation VT2
- Driver: Mitsubishi FX Series Computer Link

Cable Diagram : K-4

When using OP-24027



Able to connect by using the communication driver of GP-Pro EX Ver. 4.08.000. Unable to connect when GP-Pro EX with an earlier version than ver. 4.08.000 is used.

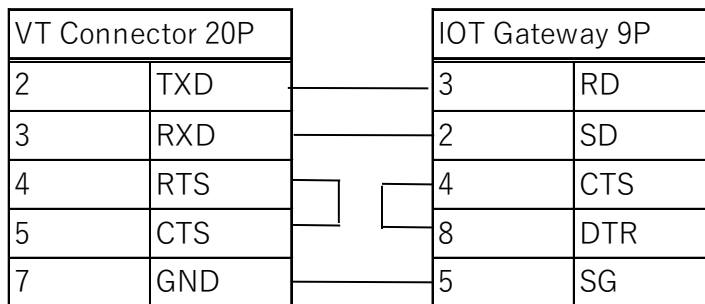
Operation-tested HMIs (Gateway Mode)

- HMI: KEYENCE Corporation VT2
- Driver: OMRON C/CV Series HOST Link

Cable Diagram : K-3

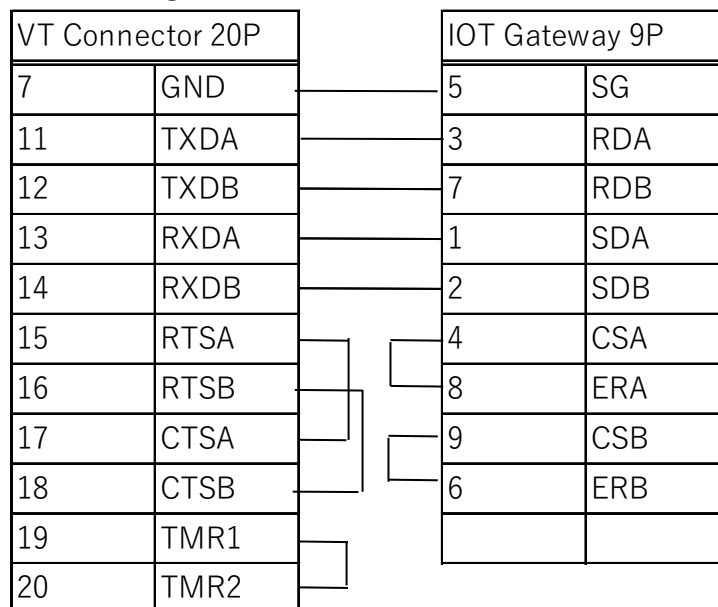
When using OP-24027,

(Necessary to figure out how 4 and 5 pins of unfastened leads are looped.)



Cable Diagram : K-5

When using OP-24028



Able to connect by using the communication driver of GP-Pro EX Ver. 4.07.200. Unable to connect when GP-Pro EX with an earlier version than ver.

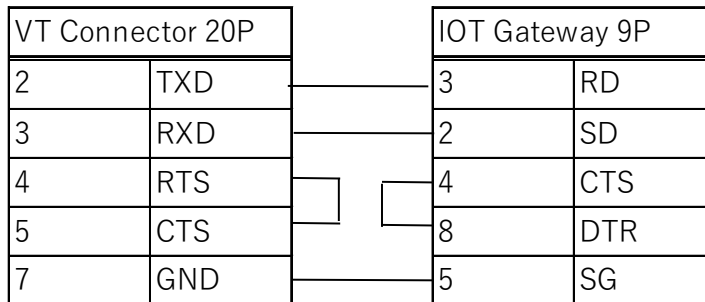
Operation-tested HMIs (Gateway Mode)

- HMI: KEYENCE Corporation VT2
- Driver: OMRON CS/CJ Series HOST Link

Cable Diagram : K-3

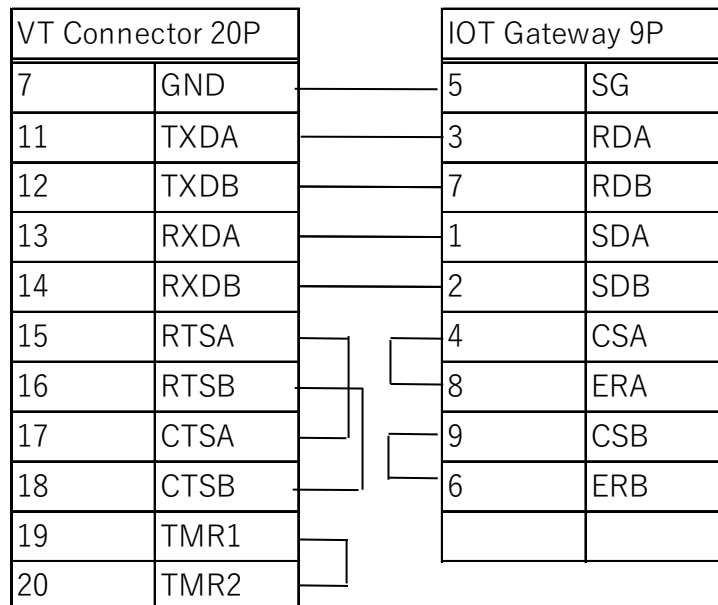
When using OP-24027,

(Necessary to figure out how 4 and 5 pins of unfastened leads are looped.)



Cable Diagram : K-5

When using OP-24028



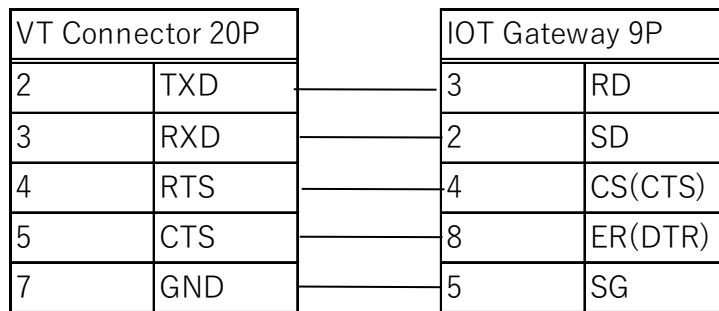
When the target PLC is CS/CJ series, you need to select [OMRON C/CV series HOST Link] for the communication protocol of GP-4G01.

Operation-tested HMIs (Gateway Mode)

- HMI: KEYENCE Corporation VT2
- Driver: Keyence KV Series CPU Direct

Cable Diagram : K-4

When using OP-24027

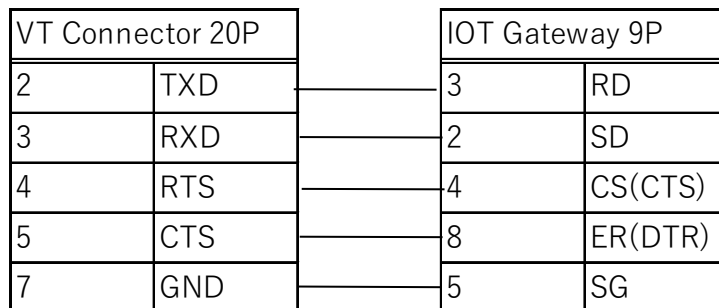


Operation-tested HMIs (Gateway Mode)

- HMI: KEYENCE Corporation VT2
- Driver: Keyence KV-700/1000/3000/5000 CPU Direct

Cable Diagram : K-4

When using OP-24027



Cable Diagram : K-5

When using OP-24028

